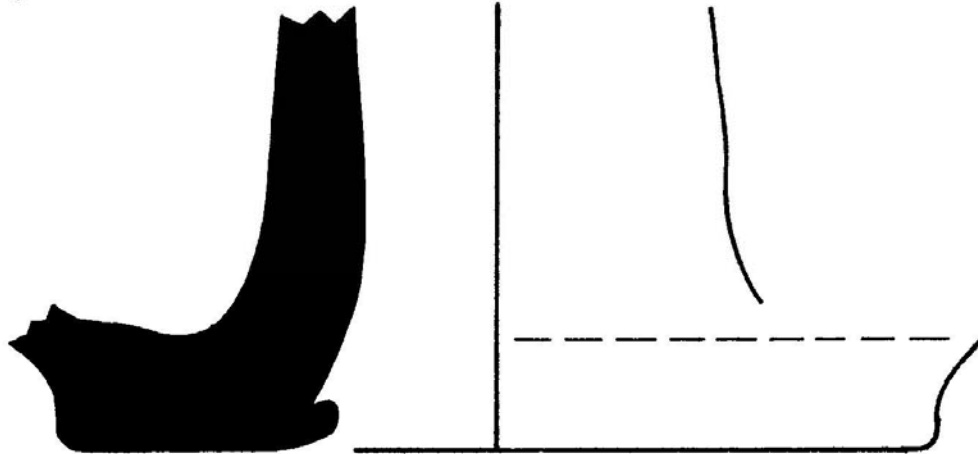


Appendix 1: Lead-Glazed Pottery Type Series

CANDLESTICK

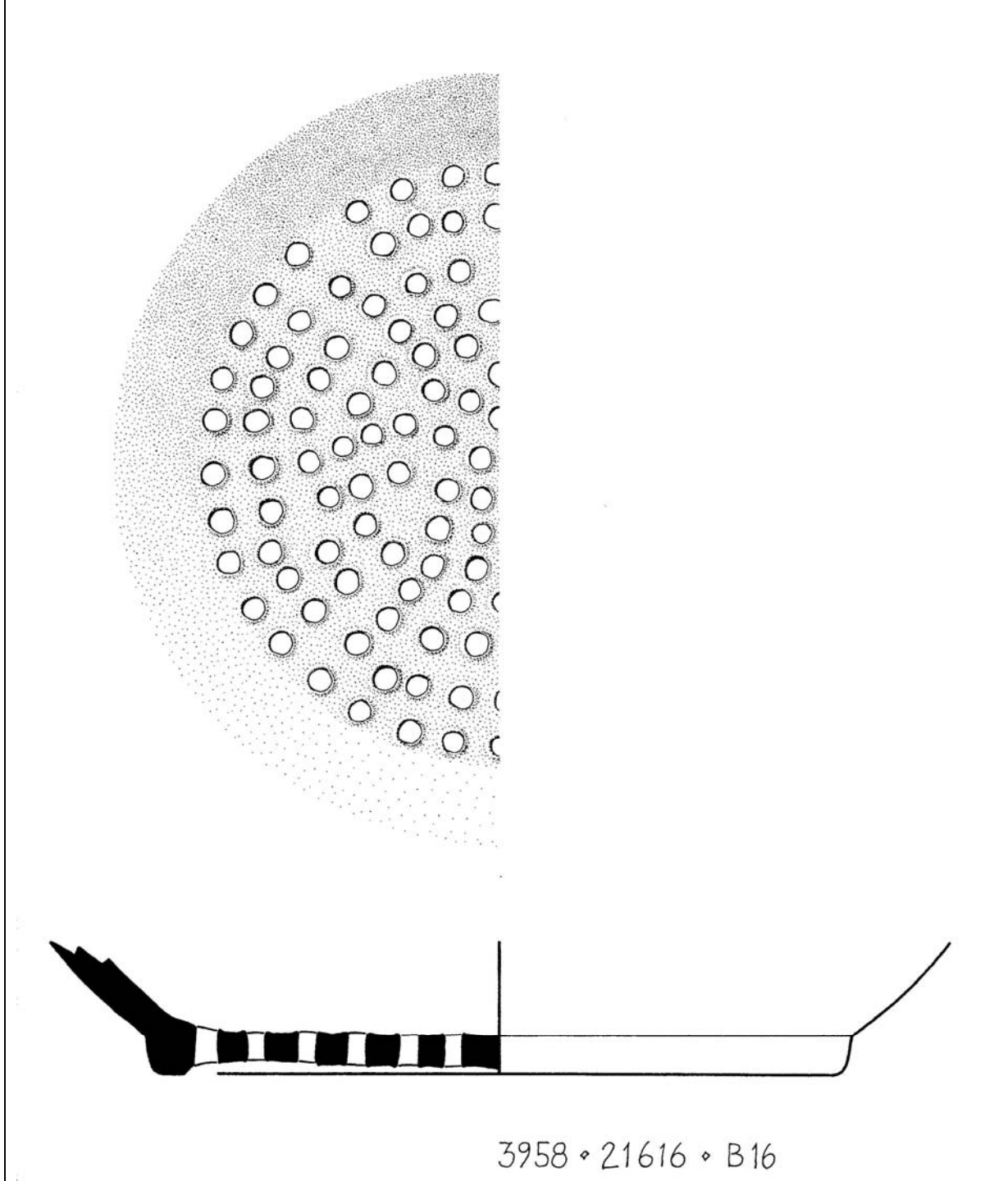
Site: PCC		3958/21615	
V:Y9	Fabric: white (7.5YR 8/1)	Glaze int: pale mustard with green flecks (10YR 7/6 'yellow')	Slip ext: pale orange
	Rim dia:	Base dia: 100mm	Height:
	Rim/height ratio:		Body angle: 65°

Drawing sheet: 1

3958 ♦ 21615 ♦ Y9

DRAINER/COLANDER

Site: PCC		3958/21616	
V:B16	Fabric: very pale brown (10YR 8/4)	Glaze int: mid brown (7.5YR 5/8 'strong brown)	Slip ext: orange
	Rim dia:	Base dia: 150mm	Height:
	Rim/height ratio:		Body angle: 128°
Drawing sheet: 1		Scale	

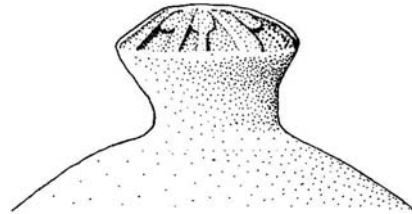


TEAPOT LID

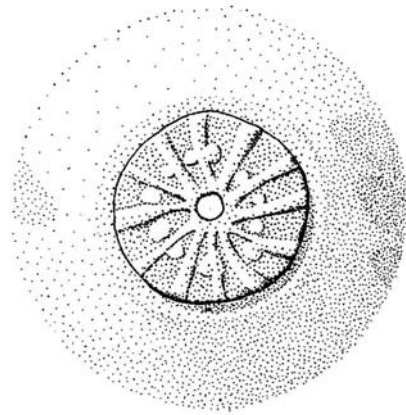
Site: PCC		3958/21613	
V;Y4	Fabric: cream (10YR 8/2 'very pale brown')	Slip int: pale orange	Glaze ext: pale yellow with green on shoulder (5Y 8/4 'pale yellow')
	Finial dia: 25mm	Base dia:	Height:
	moulded beading and radiating lines on finial		Body angle:

Drawing sheet: 1

Scale

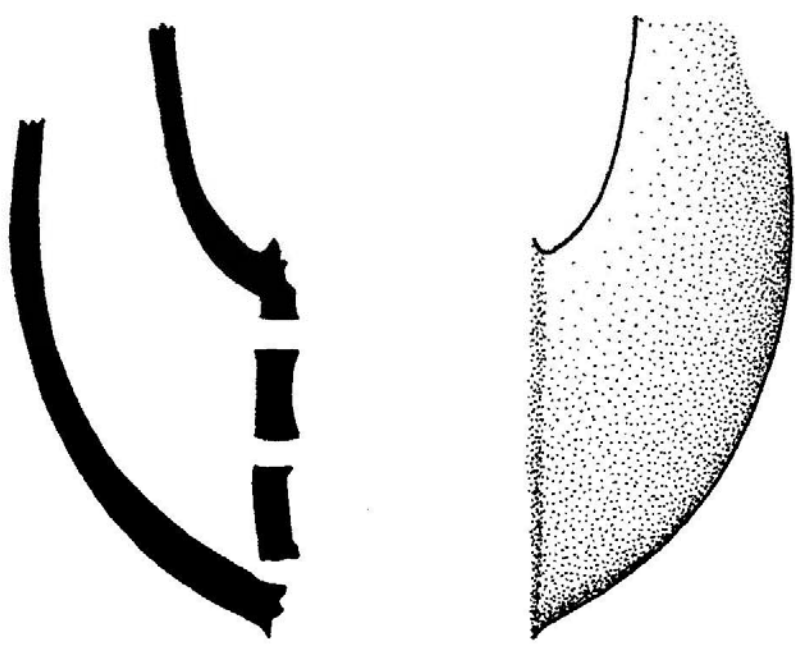


3958 • 21613 • Y 4

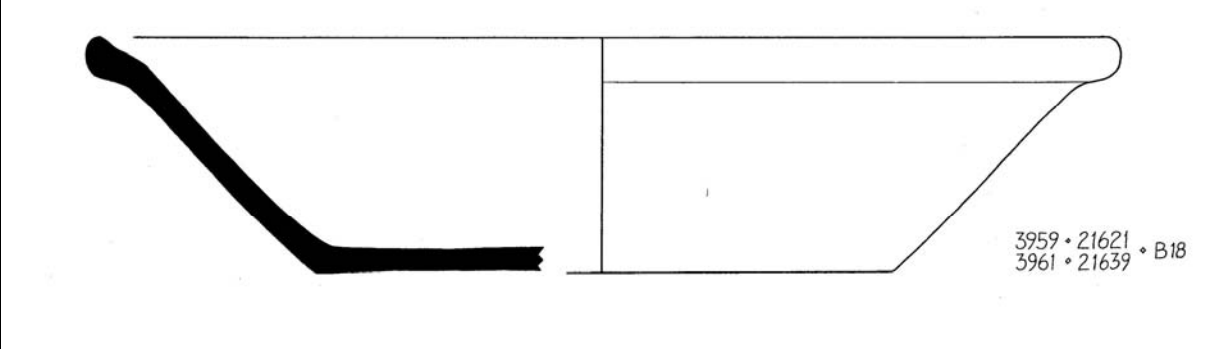


TEAPOT SPOUT

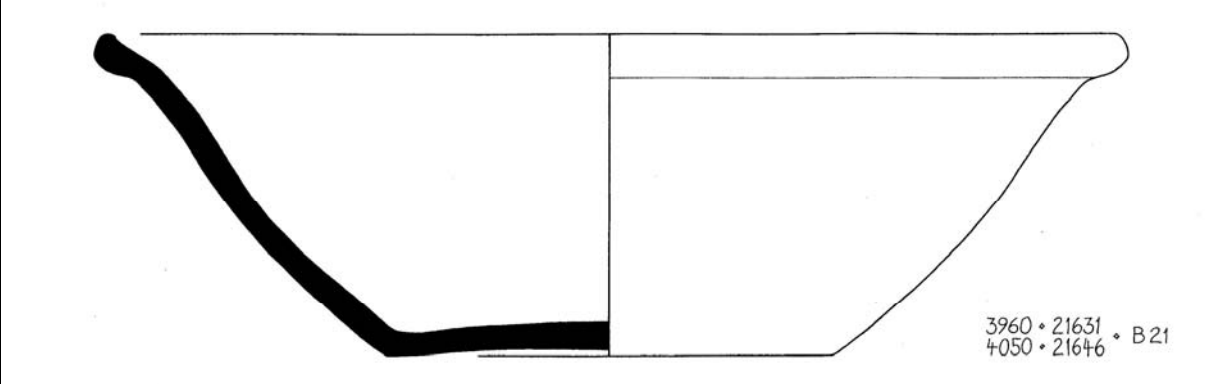
Site: PCC	3959/21610
------------------	------------

V:B15	Fabric: orange (2.5YR 6/8 'light red')	Glaze int/ext: glossy reddish brown (2.5YR 5/8 'red')	
	Rim dia	Base dia:	Body angle:
	strainer holes at base		
Drawing sheet: 10		Scale	
 <p style="text-align: right; font-family: cursive;">3959 • 21610 • B15</p>			

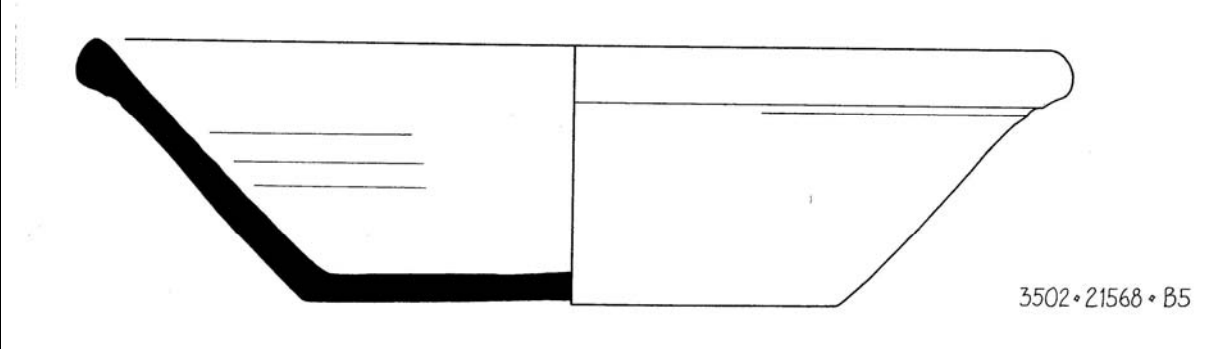
PAN-1

Site: PCC		3961/21639;3959/21621	
V:B18	Fabric: orange (5YR 7/6 'reddish yellow')	Glaze int: mid brown and mustard (7.5YR 5/8 'strong brown')	Slip ext: orange with burning
	Rim dia: 340mm	Base dia: 190mm	Height: 79mm
	Rim/height ratio:		Body angle: 135°
Drawing sheet: 6		Scale	
			

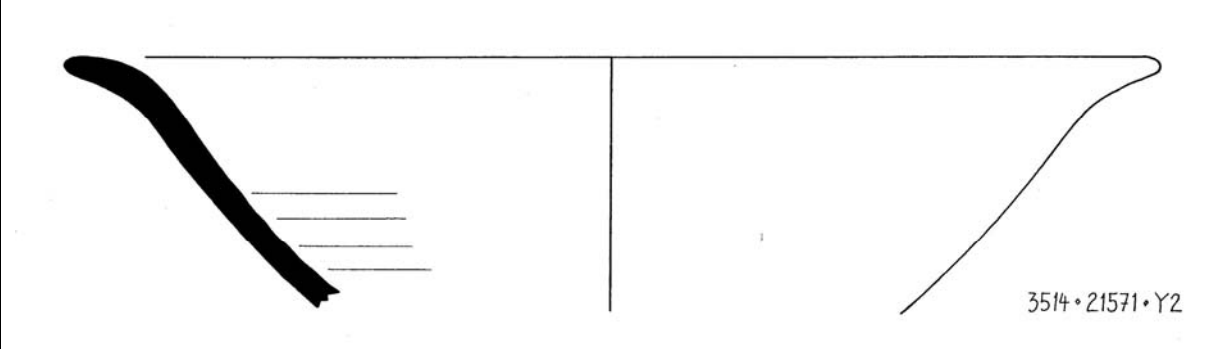
PAN-1

Site: PCC		3960/21631;4050/21646	
V:B21	Fabric: orange (5YR 6/6 'reddish yellow')	Glaze int: mustard brown (10YR 6/8 'brownish yellow')	Slip ext: orange
	Rim dia: 334mm	Base dia: 147mm	Height: 106mm
	Rim/height ratio:		Body angle: 140°
Drawing sheet: 6		Scale	
			

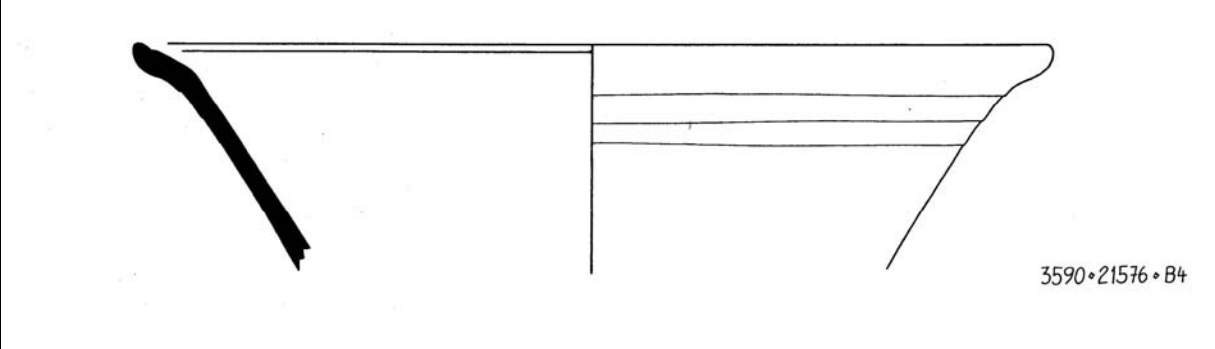
PAN-1

Site: PCC		3502/21568;3688/21596;3712/21600	
V:B5	Fabric: orange (7.5 YR 7/4 'pink')	Glaze int: mottled mustard and reddish brown (5.2Y 6/8 'olive yellow')	Slip ext: orange
	Rim dia: 295mm	Base dia: 164mm	Height: 80mm
	Rim/height ratio:		Body angle: 135°
Drawing sheet: 9		Scale	
			

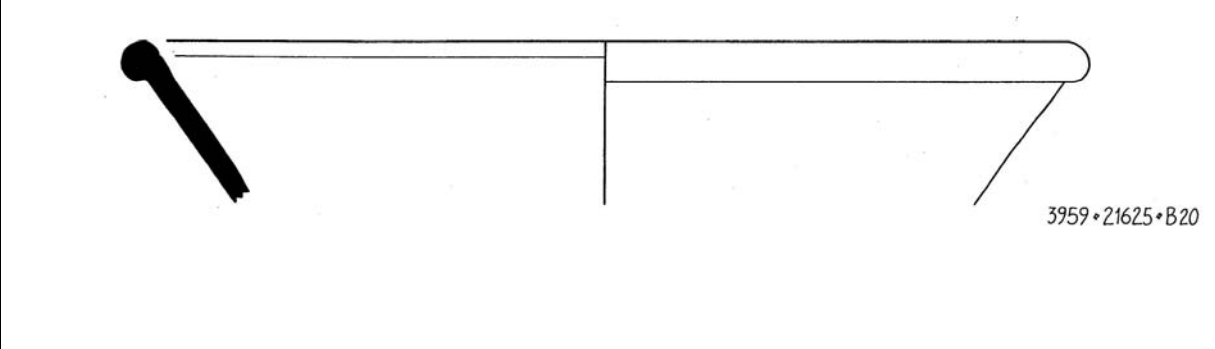
PAN-1

Site: PCC		3514/21571	
V:Y2	Fabric: orange (5YR 7/6 'reddish yellow')	Glaze int/ext: light golden yellow (10YR 7/8 'yellow')	
	Rim dia: 330mm	Base dia:	Height:
	Rim/height ratio:		Body angle:
Drawing sheet: 7		Scale	
			

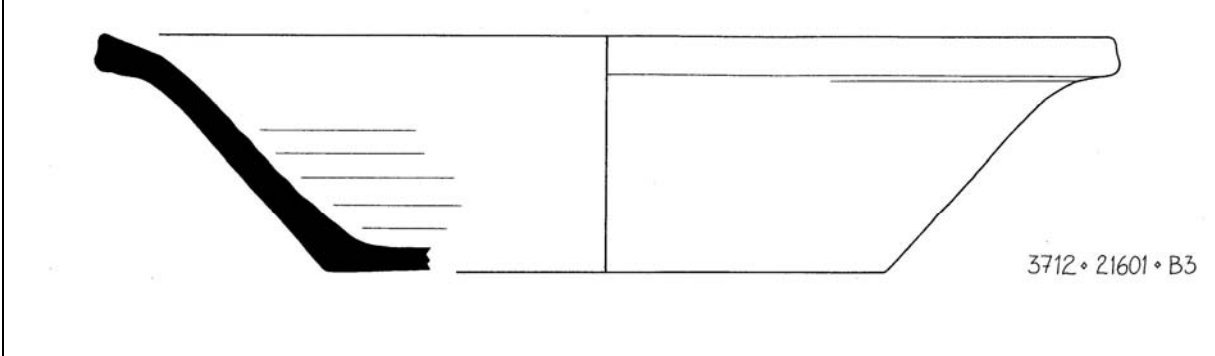
PAN-1

Site: PCC		3590/21576;3643/21587	
V:B4	Fabric: pale orange (7.5YR 8/6 'reddish yellow')	Glaze int: orange brown glaze (5YR 5/8 'yellowish red')	Slip ext: orange
	Rim dia: 308mm	Base dia:	Height:
	Rim/height ratio:		Body angle:
Drawing sheet: 14		Scale	
			3590 • 21576 • B4

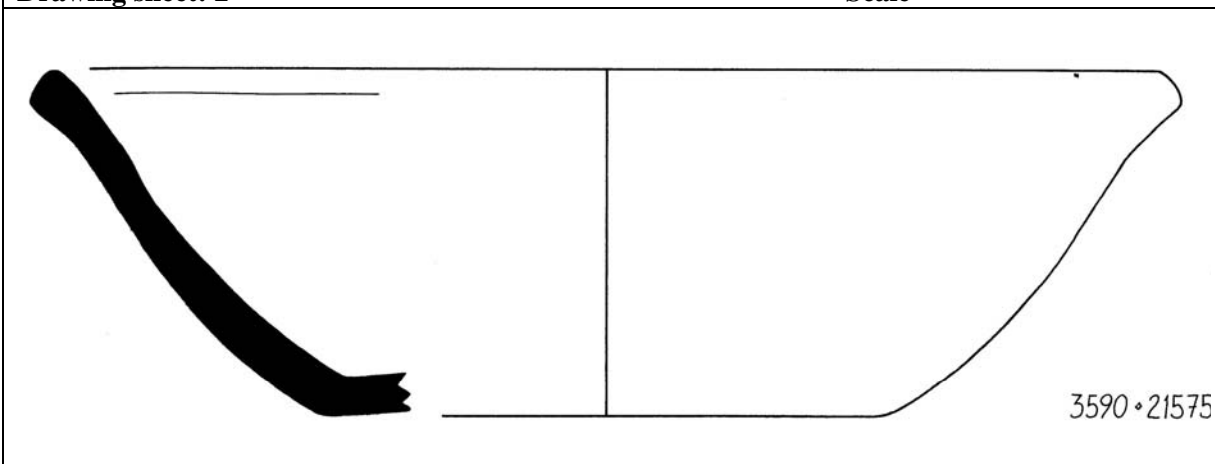
PAN-1

Site: PCC		3959/21625	
V:B20	Fabric: very pale orange (10YR 7/4 'very pale brown')	Glaze int: golden with some khaki (10YR 6/8 'brownish yellow')	Slip ext: orange
	Rim dia: 320mm	Base dia:	Height:
	Rim/height ratio:		Body angle:
Drawing sheet: 14		Scale	
			3959 • 21625 • B20

PAN-1

Site: PCC		3712/21601	
V:B3	Fabric: very pale orange (7.5YR 8/3 'pink')	Glaze int: honey gold (10YR 6/8 'brownish yellow')	Slip ext: orange
	Rim dia: 325mm	Base dia: 180mm	Height: 76mm
	Rim/height ratio:		Body angle: 132°
Drawing sheet: 8		Scale	
			

PAN-1

Site: PCC		3590/21575	
V:B1	Fabric: orange (5YR 6/8 'reddish yellow')	Glaze int: glossy brown (5YR 5/8 'yellowish red')	Slip ext: orange
	Rim dia: 270mm	Base dia: 135mm	Height: 85mm
	Rim/height ratio:		Body angle: 140°
Drawing sheet: 2		Scale	
			

PAN-1

Site: PCC		3502/21569	
V:B6	Fabric: pale orange (7.5YR 7/6 'reddish yellow')	Glaze int: glossy brown (5YR 5/8 'yellowish red')	Slip ext: orange
	Rim dia: 380mm	Base dia:	Height:
	Rim/height ratio:		Body angle:
Drawing sheet: 12		Scale	

PAN-1

Site: PCC		3686/21592	
V:B12	Fabric: very pale orange (10YR 8/3 'very pale brown')	Glaze int: pale honey brown (10YR 6/6 'brownish yellow')	Slip ext: orange
	Rim dia: 330mm	Base dia: 180mm	Height: 95mm
	Rim/height ratio:		Body angle: 126°
Drawing sheet: 7		Scale	


PAN-1

Site: PCC		3958/21609	
V:B14	Fabric: pale orange (7.5YR 8/4 'pink')	Glaze int: glossy orange brown (5YR 5/8 'yellowish red')	Slip ext: worn orange
	Rim dia: 295mm	Base dia:	Height:
	Rim/height ratio:		Body angle:
Drawing sheet: 12		Scale	

PAN-1

Site: PCC		3992/21642;3994/21645;3974/21641	
V:B23	Fabric: pale orange (7.5YR 8/4 'pink')	Glaze int: orange to brown (7.5YR 6/8 'reddish yellow')	Slip ext: orange
	Rim dia:	Base dia: 148mm	Height:
	Rim/height ratio:		Body angle: 130°
Drawing sheet: 15		Scale	

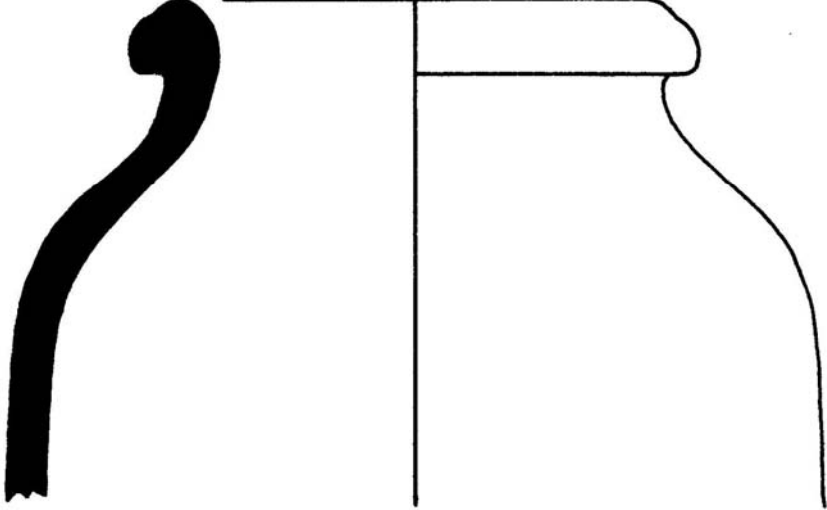
PAN-1

Site: PCC		3961/21637	
V:SS7	Fabric: cream (10YR 8/2 'very pale brown')	Slip int/ext: worn pale orange (10YR 8/4 'very pale brown')	
	Rim dia:	Base dia: 167mm	Height:
	Rim/height ratio:		Body angle: 135°
Drawing sheet: 8		Scale	
 <p>3961 • 21637 • SS 7</p>			

POT/CROCK

Site: PCC		3686/21593;3712/21599	
V:B13	Fabric: orange (7.5YR 8/4 'pink')	Glaze int: mustard brown (7.5YR 6/8 'reddish yellow')	Slip ext: orange
	Rim dia: 250mm	Base dia: 185mm	Height: 170mm
	Rim/height ratio:		Body angle: 103°
Drawing sheet: 4		Scale	
PCC 3712 • 21599 3686 21593			

JAR

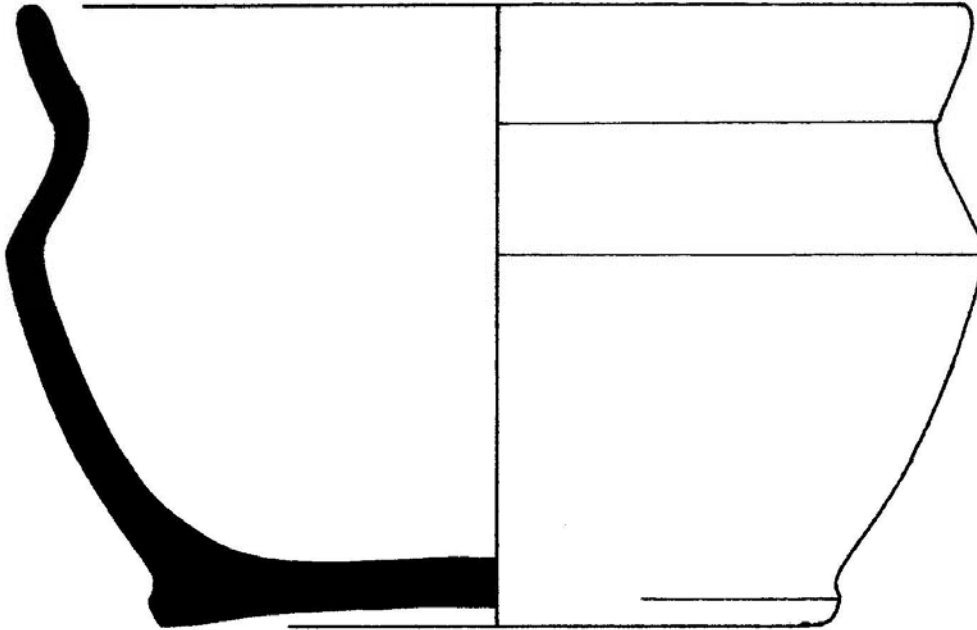
Site: PCC		3961/21638		
V:Y13	Fabric: pale orange (10YR 8/4 'very pale brown')	Glaze int/ext: uneven yellow over pale orange slip (2.5Y 7/8 'yellow')		
	Rim dia: 66mm	Base dia:	Height:	Body angle:
	Rim/height ratio:			
Drawing sheet: 5		Scale		
 <p style="text-align: center;">3961 • 21638 • Y13</p>				

JAR

Site: PCC		3959/21627	
V:Gr2	Fabric: pale orange (7.5YR 8/3 'pink')	Glaze int/ext: uneven bright olive green glaze over orange slip (colour not in Munsell)	
	Rim dia: 112mm	Base dia: 80mm	Height: 75mm
	Rim/height ratio:		Body angle: 115°

Drawing sheet: 10

Scale



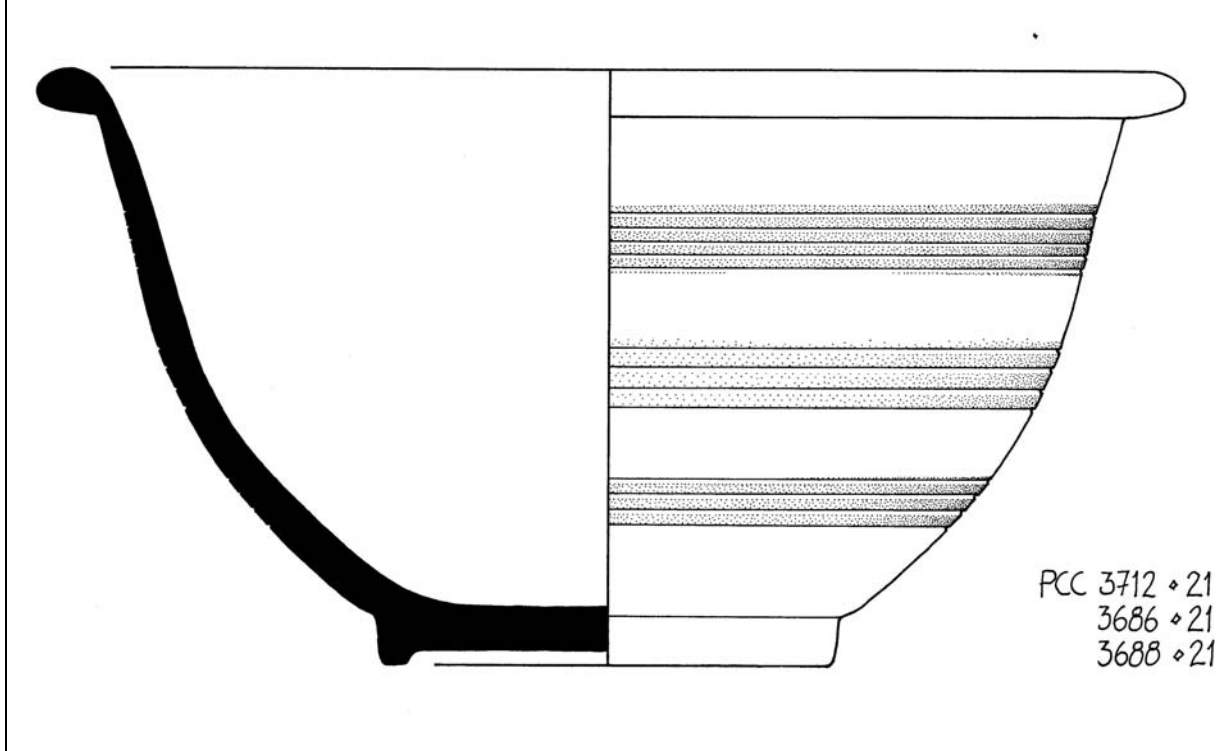
PCC

POT/JAR

Site: PCC		4110/21660	
V:B24	Fabric: orange (5YR 6/6 'reddish yellow')	Glaze int/ext: brown (10YR 4/6 'dark yellowish brown')	2 wide coggled bands of oval shapes and diagonal lines on upper ext body
	Rim dia: 308mm	Base dia:	Height:
	Rim/height ratio:		Body angle:
Drawing sheet: 5		Scale	

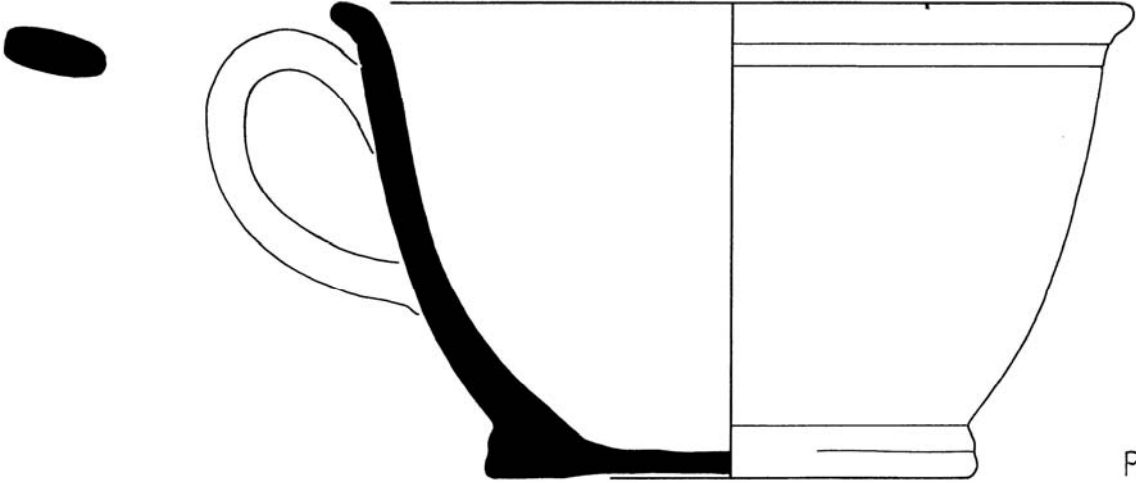
WASHBASIN

Site: PCC		3686/21594;3688/21595;3712/21598		
V:Y1	Fabric: white (5YR 8/1)	Glaze int: pale yellow (2.5Y 8/4)	Glaze ext: pale yellow with 2 wide brown bands and 1 wide green band on body	
	Rim dia: 270mm	Base dia: 110mm	Height: 148mm	Body angle: 128°
	Rim/height ratio:			
Drawing sheet: 13		Scale		



PCC 3712 ♦ 21
 3686 ♦ 21
 3688 ♦ 21

POE

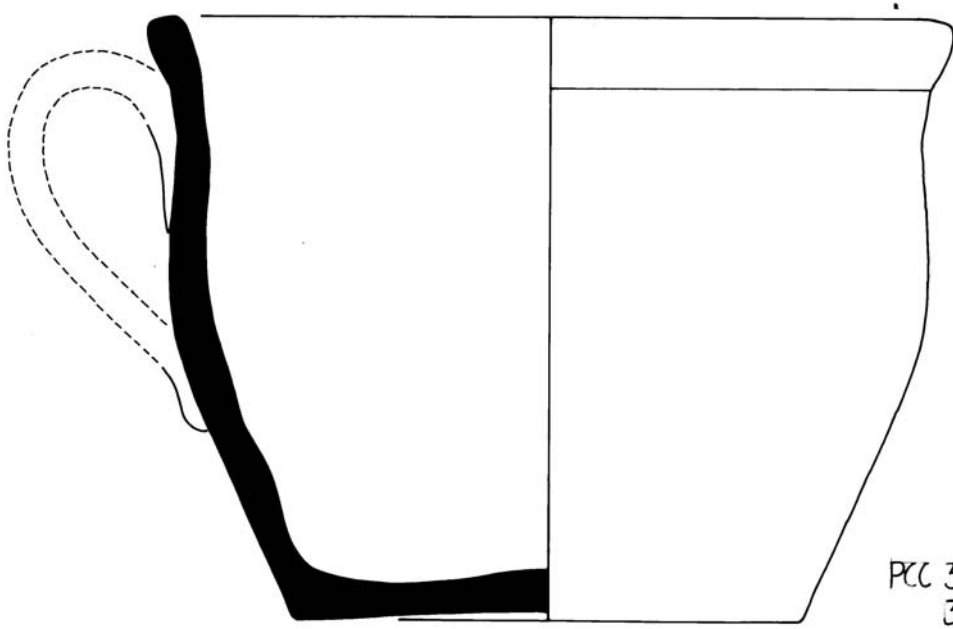
Site: PCC		4050/21647	
V:Y13	Fabric: cream (10YR 8/2 'very pale brown')	Glaze int/ext: uneven mustard yellow on orange slip (2.5Y 6/8 'olive yellow')	
	Rim dia: 190mm	Base dia: 116mm	Height: 116mm
	Rim/height ratio:		Body angle: 113°
Drawing sheet: 11		Scale	
			

POE

Site: PCC		3960/21636;3961/21640		
V:B22	Fabric: very pale orange (7.5YR 8/4 'pink')	Glaze int: golden brown (10YR 6/8 'brownish yellow')	Slip ext: orange with splashes of golden brown glaze	
	Rim dia: 185mm	Base dia: 120mm	Height: 146mm	Body angle: 115°
	Rim/height ratio:			

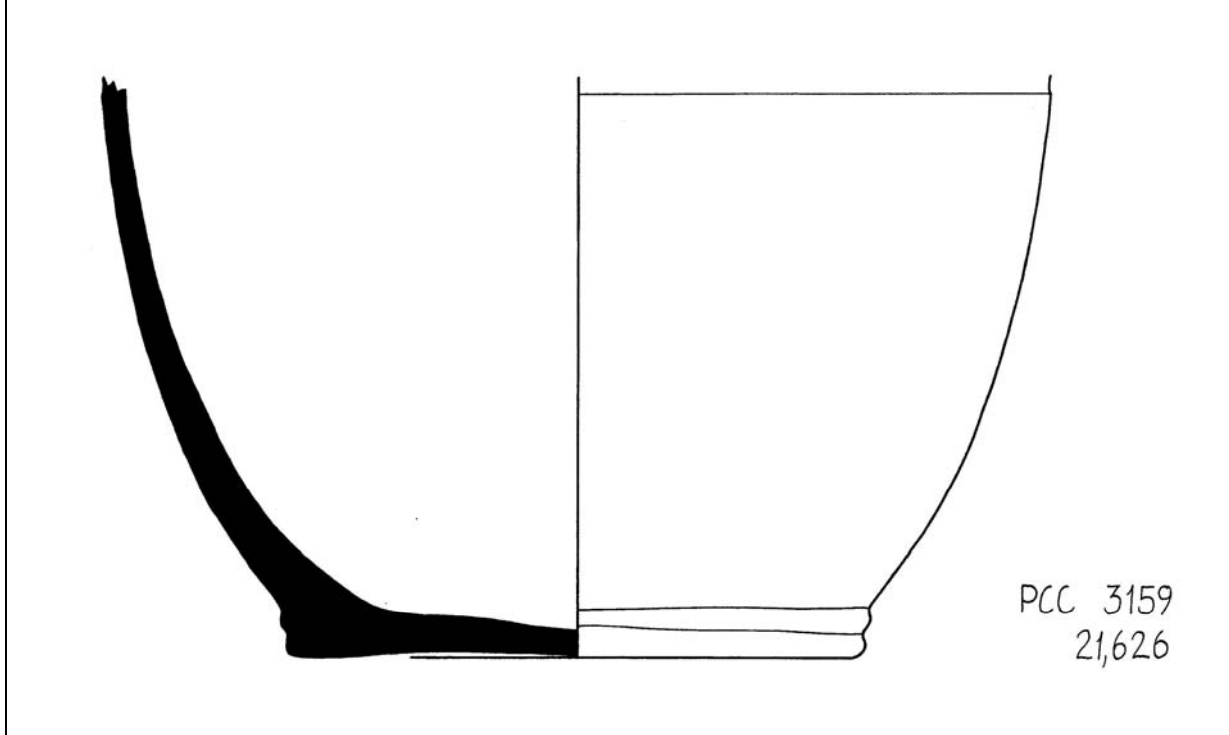
Drawing sheet: 3

Scale

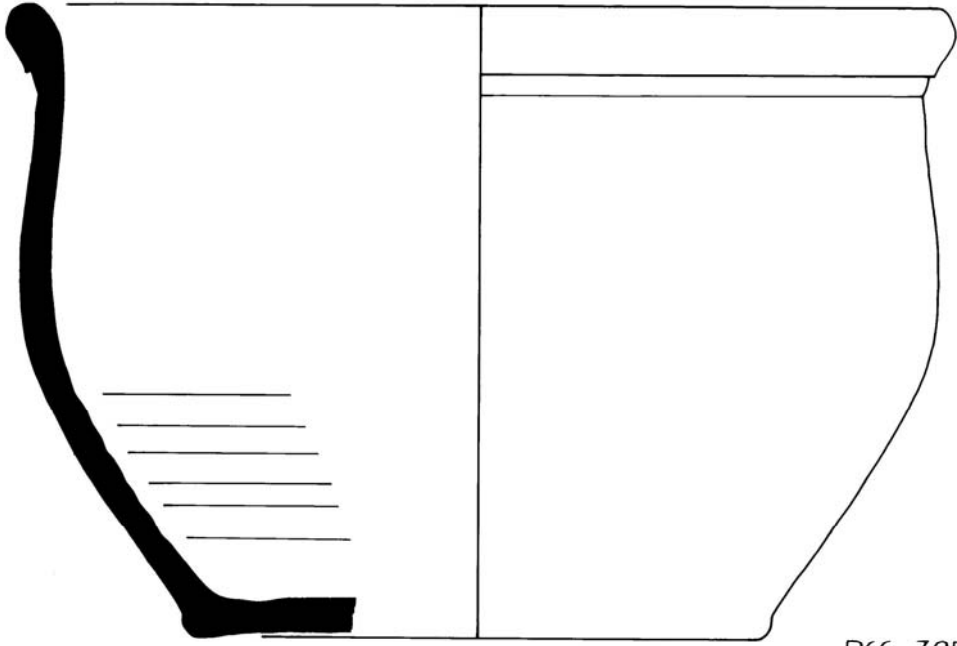


POE

Site: PCC		3959/21626	
V:R1	Fabric: cream (10YR 8/3 'very pale brown')	Glaze int/ext: mottled reddish brown and green on orange slip (10R 4/8 'red'; 5Y 5/4 'olive')	
	Rim dia:	Base dia: 120mm	Height:
	Rim/height ratio:		Body angle: 115°
Drawing sheet: 4		Scale	



POE

Site: PCC		3958/21611;3959/21620	
V:Y7	Fabric: cream (10YR 8/2 'very pale brown')	Glaze int: bright yellow (5Y 7/8 'yellow')	Glaze ext: pale yellow on very pale orange slip (2.5Y 8/4 'pale yellow')
	Rim dia: 204mm	Base dia: 125mm	Height: 140mm
	Rim/height ratio:		Body angle: 120°
Drawing sheet: 3		Scale	
			
PCC 3958•21611 3959•21620			

POT

Site: PCC		3960/21635			
V:Gr3	Fabric: pale orange (10YR 7/4 'very pale brown')	Glaze int: khaki green (5Y 5/4 'olive')		Slip ext: orange	
	Rim dia:	Base dia: 120mm	Height:	Body angle: 117°	
	Rim/height ratio:				
Drawing sheet: 12			Scale		

POT

Site: PCC		3686/21591			
V:G1	Fabric: cream (10YR 8/1 'white')	Glaze int/ext: grey (10YR 7/1 'light grey')			
	Rim dia:	Base dia: 100mm	Height:	Body angle: 105°	
	Rim/height ratio:				
Drawing sheet: 2			Scale		
3686 ♦ 21591 ♦ G1					

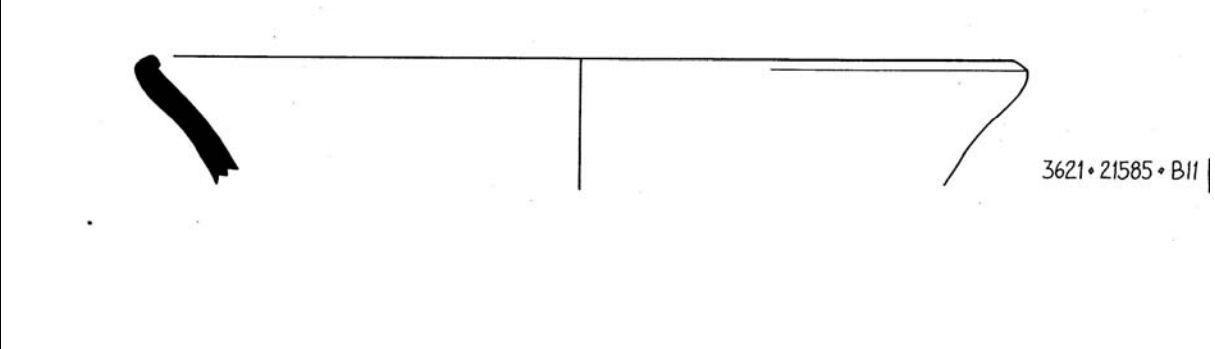
POT

Site: PCC		3590/21578			
V:B8	Fabric: orange (10R 6/6 'light red')	Glaze int/ext: glossy brown (7.5YR 5/8 'strong brown')		Slip ext: red slip on base	
	Rim dia:	Base dia: 197mm	Height:	Body angle: 117°	
	Rim/height ratio:				
Drawing sheet: 10			Scale		

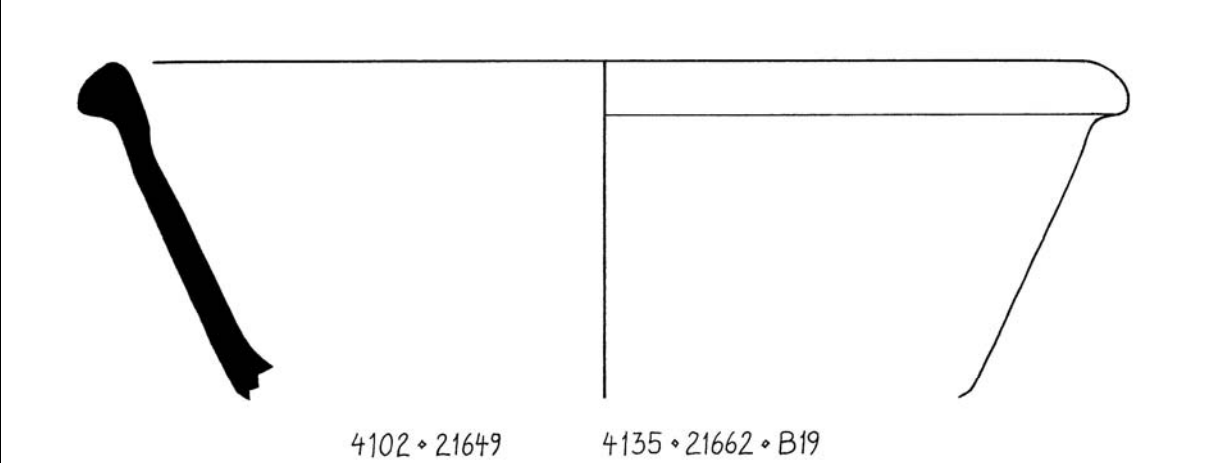
POT

Site: PCC		3959/21629			
V:Y10	Fabric: cream (7.5YR 8/1 'white')	Glaze int: flesh tone (10YR 7/4 'very pale brown').		Glaze ext: flesh tone on pale orange slip	
	Rim dia:	Base dia: 120mm	Height:	Body angle: 119°	
	Rim/height ratio:				
Drawing sheet: 12			Scale		

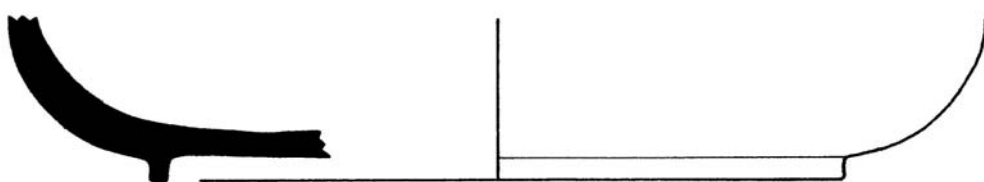
BASIN/BOWL

Site: PCC		3621/21585	
V:B11	Fabric: pale orange (5YR 7/8 'reddish yellow')	Glaze int: mottled brown on red slip (2.5YR 4/6 'red')	Slip ext: reddish orange
	Rim dia: 270mm	Base dia:	Height:
	Rim/height ratio:		Body angle:
Drawing sheet: 7		Scale	
			

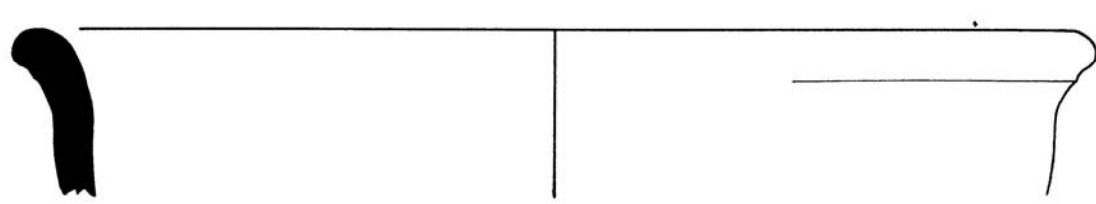
BASIN/BOWL

Site: PCC		4102/21649;4135/21662	
V:B19	Fabric: orange (2.5YR 6/6 'light red')	Glaze int/ext: glossy brown (7.5YR 5/8 'strong brown')	
	Rim dia: 230mm	Base dia:	Height:
	Rim/height ratio:		Body angle:
Drawing sheet: 10		Scale	
			

BOWL

Site: PCC		3960/21634			
V:Y12	Fabric: cream (7.5YR 8/1 'white')	Glaze int: green tinged yellow (5Y 8/6 'yellow')	Glaze ext: pale yellow (5Y 8/4)		
	Rim dia:	Base dia: 140mm	Height:	Body angle: 131°	
	Rim/height ratio:				
Drawing sheet: 10			Scale		
 <p>3960 ◊ 21634 ◊ Y 12</p>					

BOWL

Site: PCC		3590/21579			
V:B9	Fabric: orange (5YR 7/6 'reddish yellow')	Glaze int/ext: very worn mid brown on orange self slip (10YR 5/8 'yellowish brown')			
	Rim dia: 250mm	Base dia:	Height:	Body angle:	
	Rim/height ratio:				
Drawing sheet: 9			Scale		
 <p>3590 ◊ 21579 ◊ B 9</p>					

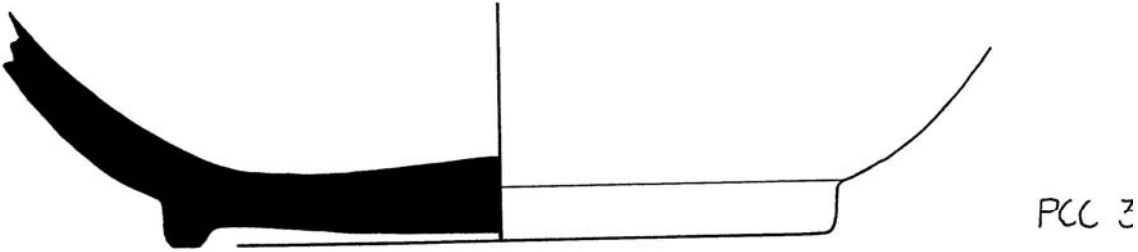
BOWL

Site: PCC		3456/21560		
V:SS3	Fabric: very pale orange (7.5YR 8/2 'pinkish white')	Slip int/ext: very pale orange self slip – stained (7.5YR 8/2 'pinkish white')		
	Rim dia: 255mm	Base dia:	Height:	Body angle:
	Rim/height ratio:			
Drawing sheet: 9		Scale		

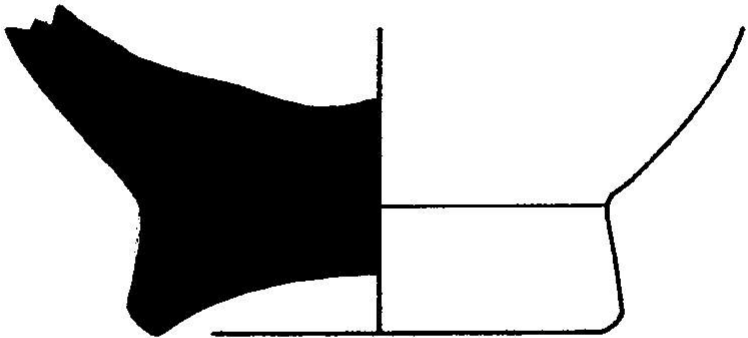
BOWL

Site: PCC		3960/21632		
V:Y11	Fabric: cream (7.5YR 8/2 'pinkish white')	Glaze int: yellow (5Y 8/6)	Glaze ext: yellow with green tinge; green band below rim edge	
	Rim dia: 100mm	Base dia:	Height:	Body angle:
	Rim/height ratio:			
Drawing sheet: 2		Scale		
<p style="text-align: center;">3960 ♦ 21632 ♦ Y11</p>				


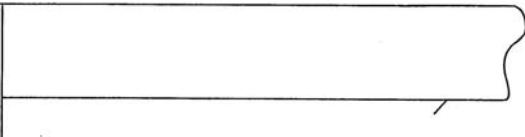
BOWL

Site: PCC		3502/21570		
V:Y1	Fabric: white (5YR 8/1)	Glaze int/ext: pale yellow (5Y 8/4)		
	Rim dia:	Base dia: 130mm	Height:	Body angle: 131°
	Rim/height ratio:			
Drawing sheet: 13			Scale	
				

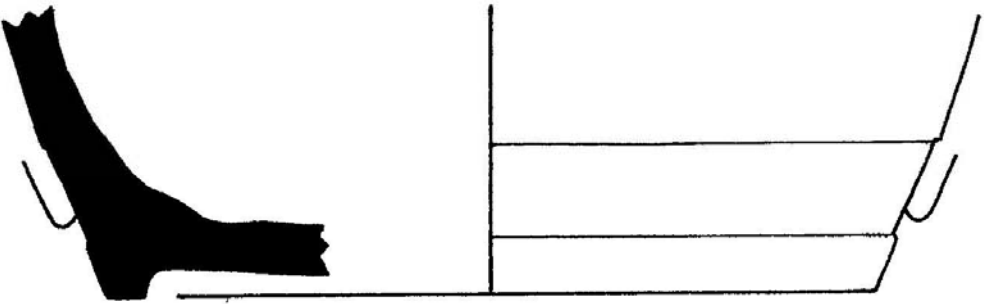
BOWL?

Site: PCC		3992/21644		
V:G2	Fabric: pale orange (7.5YR 7/6 'reddish yellow')	Glaze int/ext: grey (5Y 7/1 'light grey')		
	Rim dia:	Base dia: 38mm	Height:	Body angle: 115°
	Rim/height ratio:			
Drawing sheet: 2			Scale	
				

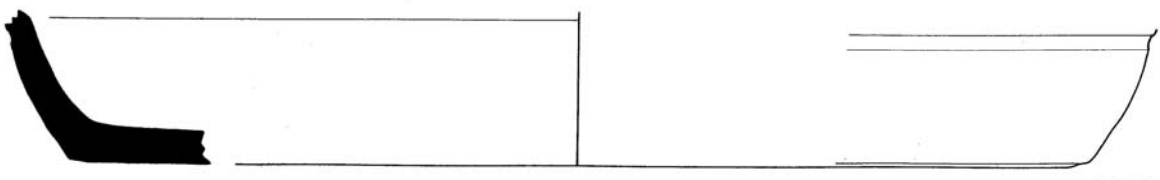
BOWL

Site: PCC		3590/21580	
V:B10	Fabric: very pale orange (10YR 8/3 'very pale brown')	Glaze int: orange brown (7.5YR 6/8 'reddish yellow')	Slip ext: orange with splashes of orange brown glaze
	Rim dia: 350mm	Base dia:	Height:
	Rim/height ratio:		Body angle:
Drawing sheet: 14		Scale	
			
		3590•21580•B10	

JUG

Site: PCC		3958/21612		
V:Y8	Fabric: cream (7.5YR 8/1 'white')	Glaze int/ext: pale yellow (5Y 8/3 'pale yellow')		
	Rim dia:	Base dia: 85mm	Height:	Body angle: 110°
	Rim/height ratio:			
Drawing sheet: 10			Scale	
 <p style="text-align: center;">3958 • 21612 • Y8</p>				

DISH

Site: PCC		3960/21630		
V:SS6	Fabric: very pale orange (10YR 8/3 'very pale brown')	Slip int/ext: very pale orange self slip (10YR 8/3 'very pale brown')		
	Rim dia:	Base dia: 346mm	Height:	Body angle: 123°
	Rim/height ratio:			
Drawing sheet: 15			Scale	
 <p style="text-align: center;">3960 • 21630 • SS6</p> <p style="text-align: right;">PCC</p>				